

Using IHLP® Inductors for Your LED Lighting Application



APPLICATIONS

- Automotive lighting - interior and exterior
- Portable electronic devices
- LCD and CCD panel backlights (Flat screen televisions and monitors)
- Traffic and railway signals
- Signs and Illumination
- Personal flashlights
- Medical instruments and tool lighting
- Digital camera flash and video light

RESOURCES

- For more information, visit - <http://www.vishay.com/inductors/power-inductors/>
- For technical questions, contact - magnetics@vishay.com





INDUCTORS



Selecting the Right Inductor for Your Lighting Application

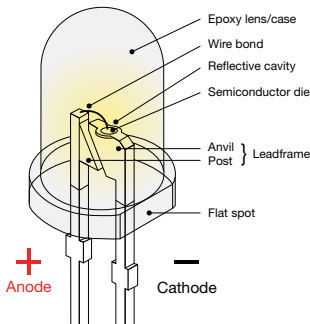
Inductors - IHLP® Solutions for Lighting Applications

LED Driver Technology from Linear Technology Corporation

LED driver circuits are available in several topologies:

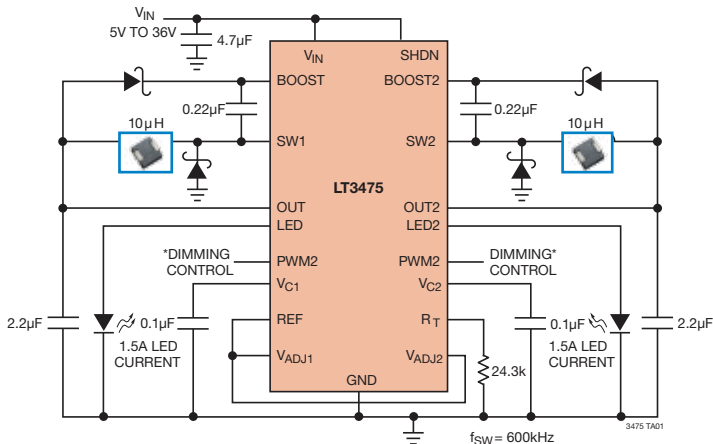
- Buck
- Boost
- Buck-Boost
- SEPIC designs

All of these require inductors, and virtually any LED implementation can benefit from the space savings delivered by Vishay's low-profile IHLP® inductor series. IHLP inductors are available in 8 different footprints and 10 different height variations. Whatever your LED application, there's an IHLP inductor to help make it more space- and power-efficient.



High-Current LED Drivers – Dual Buck

High-current inductor-based step-down switching LED drivers provide tiny, efficient high-power LED lighting solutions for automotive, architectural, and display backlighting.

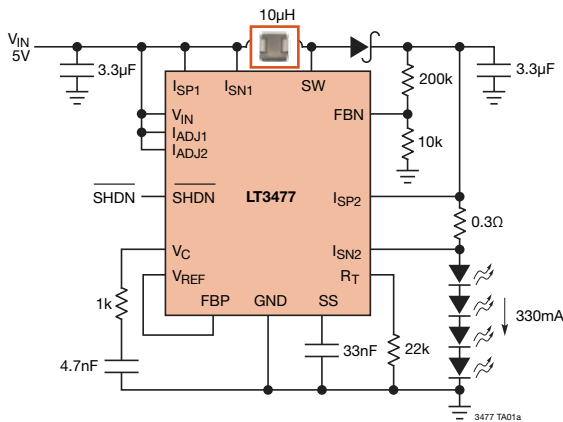


= Buck - IHLP2525CZER100M01

Circuit diagram courtesy of Linear Technology

High-Current LED Drivers – Boost

High-current inductor-based step-up switching LED drivers provide compact, efficient high-power LED lighting solutions. The boost regulator is useful for driving a chain of LEDs connected in series. It is beneficial to drive multiple LEDs in series so they receive the same amount of current and will have the same brightness level.



= Boost - IHLP2020BZER100M11

Circuit diagram courtesy of Linear Technology



INDUCTORS

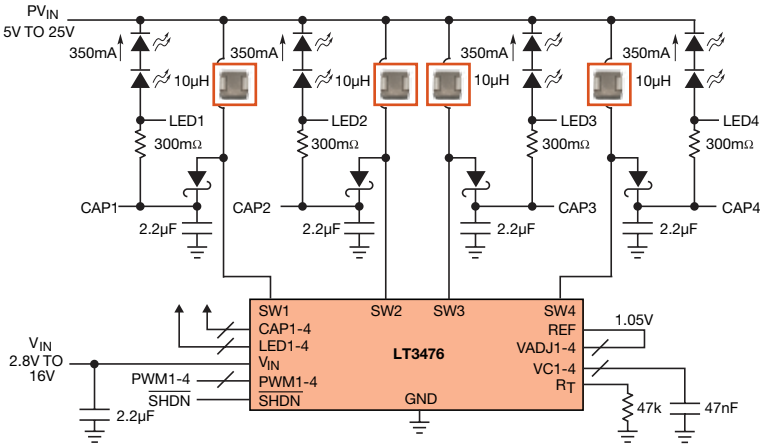


Selecting the Right Inductor for Your Lighting Application

Inductors - IHLP® Solutions for Lighting Applications

High-Current LED Driver – Buck-Boost

High-current inductor-based buck-boost switching LED drivers provide flexible, tiny, efficient solutions for TFT backlighting, automotive, and avionic lighting applications.

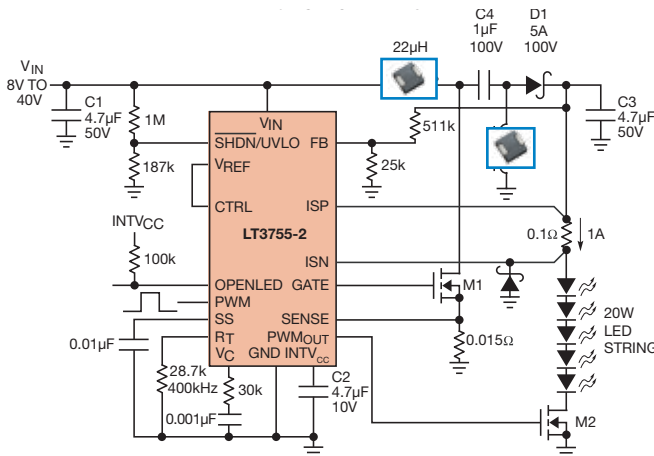


= Buck-Boost - IHLP2020BZER100M11
Circuit diagram courtesy of Linear Technology

High-Current LED Driver – SEPIC

The Single-Ended Primary Inductance Converter (SEPIC) regulator topology uses an additional inductor, but provides the following advantages for battery powered applications:

- 1) It can be buck or boost as the input voltage changes
- 2) The circuit provides inherent short-circuit protection due to the use of a coupling capacitor.



= Sepic - IHLP2525CZER220M11
Circuit diagram courtesy of Linear Technology



INDUCTORS



Selecting the Right Inductor for Your Lighting Application

Inductors - IHLP® Solutions for Lighting Applications

Model Number	Maximum Size (mm)			Inductance at Zero DC (μH)					
	L	W	H	0.001	0.01	0.1	1	10	100
IHLP-1212BZ-11	3.60	3.20	2.0		0.22			2.2	
IHLP-1616AB-01	4.704	4.314	1.2	0.047				1.0	
IHLP-1616AB-11	4.704	4.314	1.2	0.047				2.2	
IHLP-1616BZ-01	4.704	4.314	2.0		0.1			2.2	
IHLP-1616BZ-11	4.704	4.314	2.0		0.1			4.7	
IHLP-2020AB-01	5.744	5.434	1.2		0.1			4.7	
IHLP-2020AB-11	5.744	5.434	1.2		0.1			4.7	
IHLP-2020BZ-01	5.744	5.434	2.0		0.1			10	
IHLP-2020BZ-11	5.744	5.434	2.0		0.1			10	
IHLP-2020CZ-01	5.744	5.434	3.0		0.1			15	
IHLP-2020CZ-11	5.744	5.434	3.0		0.1			22	
IHLP-2525AH-01	7.241	6.724	1.8		0.1			4.7	
IHLP-2525BD-01	7.241	6.724	2.4		0.1			10	
IHLP-2525CZ-01	7.241	6.724	3.0		0.1			10	
IHLP-2525CZ-11	7.241	6.724	3.0		0.1			22	
IHLP-2525EZ-01	7.241	6.724	5.0		0.56			10	
IHLP-4040DZ-01	11.500	10.300	4.0		0.19			10	
IHLP-4040DZ-11	11.500	10.300	4.0		0.1			100	
IHLP-5050CE-01	13.580	12.900	3.0		0.1			10	
IHLP-5050EZ-01	13.580	12.900	5.0		0.1			10	
IHLP-5050FD-01	13.580	12.900	6.5		0.1			10	
IHLP-6767DZ-01	17.950	17.150	4.0		0.1			10	
IHLP-6767DZ-11	17.950	17.150	4.0		0.1			47	
IHLP-6767GZ-01	17.950	17.150	7.0		0.1			22	
IHLP-6767GZ-11	17.950	17.150	7.0		0.1			100	



INDUCTORS



Selecting the Right Inductor for Your Lighting Application

Inductors - IHLP® Solutions for Lighting Applications

Model Number	Rated Current DC at 25 °C (A)			Maximum DC Resistance (Ω)							
	1	10	100	0.1m	1m	10m	100m	1	10	100	500
IHLP-1212BZ-11	3.0 3.3		6.5 7.5								46
IHLP-1616AB-01	4.0 8.5			13 32							52.5
IHLP-1616AB-11	2.75 3.0			15 15							83.5
IHLP-1616BZ-01	2.85 6.0			11 35							90
IHLP-1616BZ-11	1.7 1.75			12 12							105
IHLP-2020AB-01	2.2 4.4			13.5 35							168
IHLP-2020AB-11	2.5 2.5			14 14							131
IHLP-2020BZ-01	2.3 4.0			17 45							199
IHLP-2020BZ-11	2.2 2.0			21 25							182.8
IHLP-2020CZ-01	1.9 2.5			23 27							265
IHLP-2020CZ-11	1.9 1.7			21 25							260
IHLP-2525AH-01	3.0 8.0			18 40							78
IHLP-2525BD-01	2.5 7.0			30 50							129
IHLP-2525CZ-01	3.0 7.0			32.5 60							105
IHLP-2525CZ-11	2.9 2.5			12.5 9.5							135
IHLP-2525EZ-01	4.5 4.5			20 12							71.3
IHLP-4040DZ-01	6.8 12.0			40 90							36.5
IHLP-4040DZ-11	2.5 2.25			40 46							270
IHLP-5050CE-01	7.0 14.0			43 84							34
IHLP-5050EZ-01	9.0 16.0			55 118							25.5
IHLP-5050FD-01	10.0 15.5			60 120							17.2
IHLP-6767DZ-01	10.5 19.5			75 92							25.6
IHLP-6767DZ-11	5.0 4.3			41 27.5							108.46
IHLP-6767GZ-01	11.0 23.0			80 129							26.5
IHLP-6767GZ-11	5.0 4.0			75.5 55							110.0

■ Heat Rated Current -01 series frequency range up to 5 MHz
■ Saturation Current -11 series frequency range up to 1 MHz



Selecting the Right Inductor for Your Lighting Application

WORLDWIDE SALES CONTACTS**THE AMERICAS****UNITED STATES**

VISHAY AMERICAS
ONE GREENWICH PLACE
SHELTON, CT 06484
UNITED STATES
PH: +1-402-563-6866
FAX: +1-402-563-6296

ASIA**SINGAPORE**

VISHAY INTERTECHNOLOGY ASIA PTE LTD.
37A TAMPINES STREET 92 #07-00
SINGAPORE 528886
PH: +65-6788-6668
FAX: +65-6788-0988

P.R. CHINA

VISHAY CHINA CO., LTD.
15D, SUN TONG INFOPORT PLAZA
55 HUAI HAI WEST ROAD
SHANGHAI 200030
P.R. CHINA
PH: +86-21-5258 5000
FAX: +86-21-5258 7979

JAPAN

VISHAY JAPAN CO., LTD.
SHIBUYA PRESTIGE BLDG. 4F
3-12-22, SHIBUYA
SHIBUYA-KU
TOKYO 150-0002
JAPAN
PH: +81-3-5466-7150
FAX: +81-3-5466-7160

EUROPE**GERMANY**

VISHAY ELECTRONIC GMBH
DR.-FELIX-ZANDMAN-PLATZ 1
95100 SELB
GERMANY
PH: +49-9287-71-0
FAX: +49-9287-70435

FRANCE

VISHAY S.A.
199, BD DE LA MADELEINE
06003 NICE, CEDEX 1
FRANCE
PH: +33-4-9337-2727
FAX: +33-4-9337-2726

UNITED KINGDOM

VISHAY LTD.
SUITE 6C, TOWER HOUSE
ST. CATHERINE'S COURT
SUNDERLAND ENTERPRISE PARK
SUNDERLAND SR5 3XJ
UNITED KINGDOM
PH: +44-191-516-8584
FAX: +44-191-549-9556